

# CityVu Awning (C600/C605)

## Technical Data Sheet

### Frame/Sash

- Architectural Grade 6063-T63 Aluminum
- Euro-Groove Mainframe/Sash
- Azo-Core Thermal Break (Mainframe/Sash)
- 45 Degree Mitered Mainframe/Sash Corners
- Silicone Injected Corner Keys
- 4-1/8" Overall Frame Depth
- 2-7/8" Exterior Sightlines
- 1-1/4" Pre-Punched Nail Fin
- Overlapping Sash to Mainframe

### Weather stripping

- Dual Bulb Seal Gaskets

### Glazing

- Beveled/Square Glazing Stops
- Quanex Super Spacer
- 100% Silicone Wet Glaze
- Double/Triple Insulated Glass Options
- Annealed, Tempered, Laminated and Obscure Glass Options Available

### Hardware

- Stainless Steel Four-Bar Hinge
- Dual Low Profile Lock Lever Operating Multiple Lock Points
- Stainless Steel Hardware Available
- WOCD Avail

### Mulling Options

- Continuous Frame Configurations
- Field Applied Structural Mulls

### Grid Options

- Grids Between the Glass
- Simulated Divided Lites

### Screen

- Flex Screen Standard

### Paint

- 2604/2605 FGIA High Performance Powder Coatings
- 30 Standard Colors
- Custom Colors available

CityVu Awning (C600/C605)		
NAFS Rating	AW-PG70-C	
Design Pressure (P.S.F.)	70	
Air Infiltration at 25 MPH (cfm/ft <sup>2</sup> )	0.09	
Water Resistance	12	
U-Value (Based on Cardinal 366 Low-E/Argon Fill)	0.29	
SHGC (Based on Cardinal 366 Low-E/Argon Fill)	0.19	
<b>Frame Sizing</b>	<b>Width</b>	<b>Height</b>
Minimum	24"	24"
Maximum	72"	84"

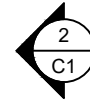
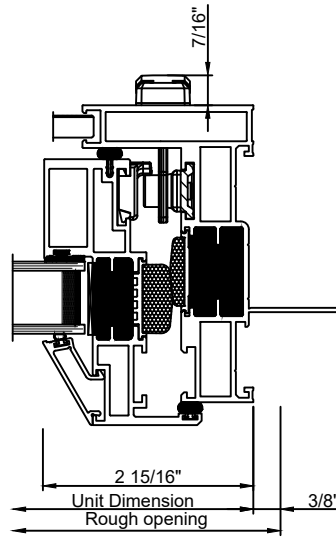
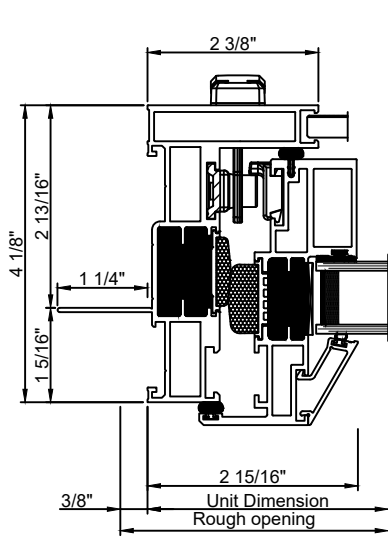


Quaker Window Products  
 504 U.S. Hwy 63 South  
 Freeburg, MO 65035  
 (800) 347-0438  
[www.quakerresidentialwindows.com](http://www.quakerresidentialwindows.com)

Discover More Here:

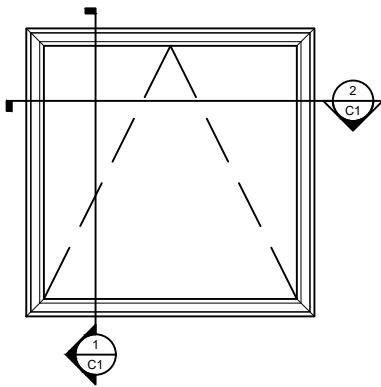


QTZ-CV-AWN-0324

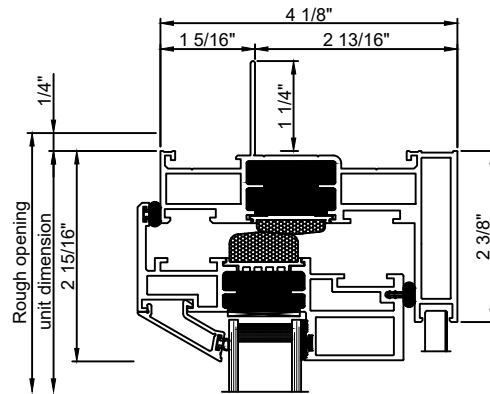


Window cut sections 3/8" = 0' 1"

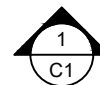
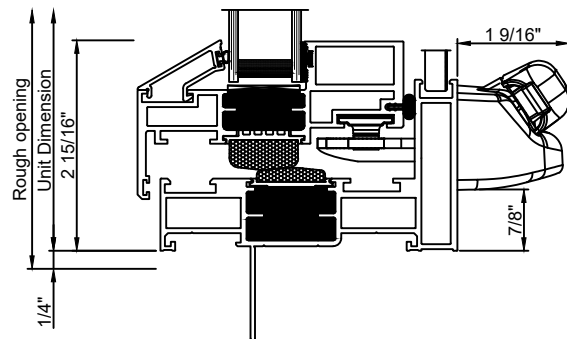
Exterior



Window Elevation 3/8" = 1' 0"

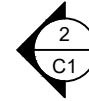
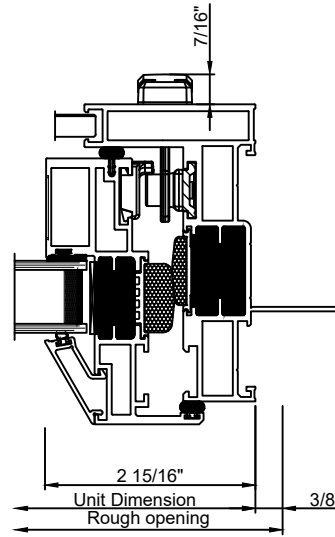
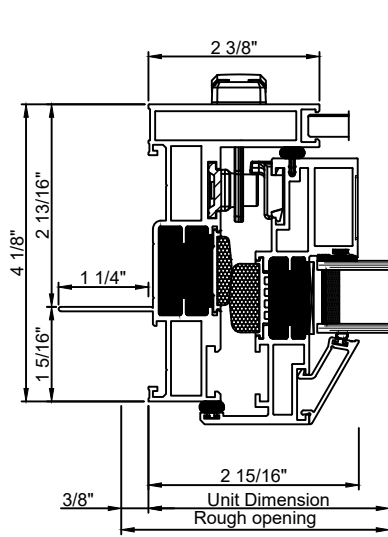


Exterior



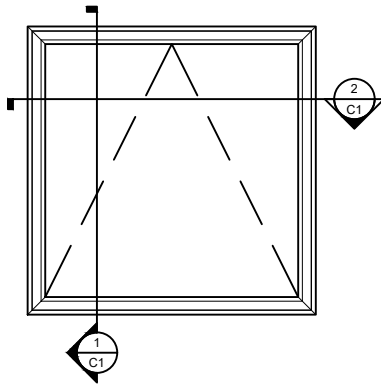
Window cut sections 3/8" = 0' 1"

Note: All dimensions are approximate. Quaker reserves the right to change specifications without notice.

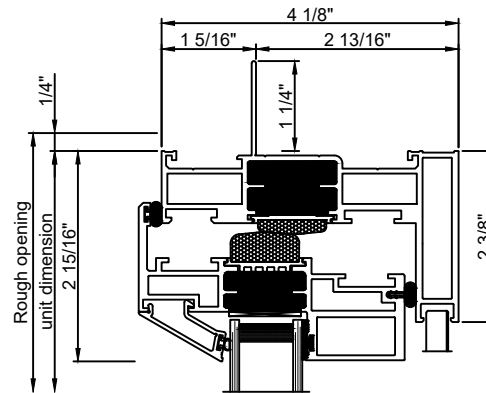


Window cut sections 3/8" = 0' 1"

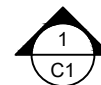
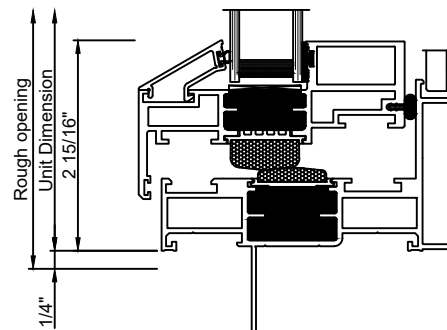
Exterior



Window Elevation 3/8" = 1' 0"

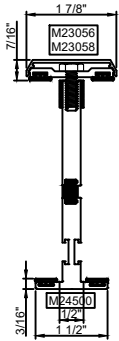


Exterior



Window cut sections 3/8" = 0' 1"

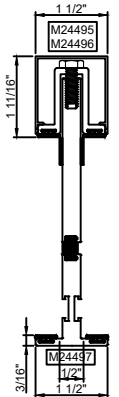
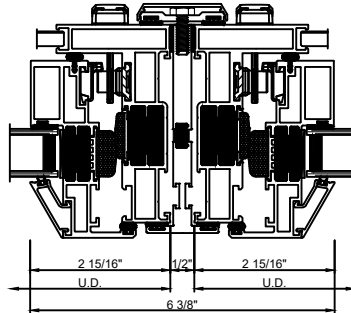
Note: All dimensions are approximate. Quaker reserves the right to change specifications without notice.



**T-MULL**

M24500 - T-MULL  
M23056 - BASE  
M23058 - CAP  
BPN-9159 - W.S. (QTY. 4)  
MH1/4 20X3/4 - BOLTS (18" APROX. O.C.)  
5229-PC - ANCHOR (QTY. 2)  
MPS-8X1 1/2 - FASTENERS (QTY. 2)

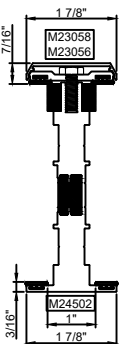
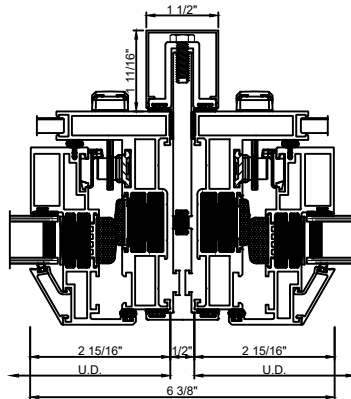
**CAN ONLY BE USED WITH C600**



**T-MULL**

M24497 - T-MULL  
M24495 - BASE  
M24496 - CAP  
BPN-9159 - W.S. (QTY. 4)  
MH1/4 20X3/4 - BOLTS (18" APROX. O.C.)  
ANCHOR (QTY. 2)  
MPS-8X1 1/2 - FASTENERS (QTY. 2)

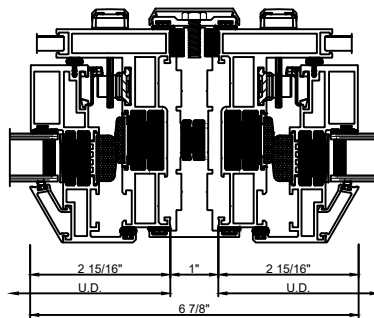
**CAN ONLY BE USED WITH C600**



**T-MULL**

M24502 - T-MULL  
M23056 - BASE  
M23058 - CAP  
BPN-9159 - W.S. (QTY. 4)  
MH1/4 20X3/4 - BOLTS (18" APROX. O.C.)  
5228 - ANCHOR (QTY. 2)  
MPS-8X1 1/2 - FASTENERS (QTY. 2)

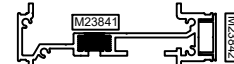
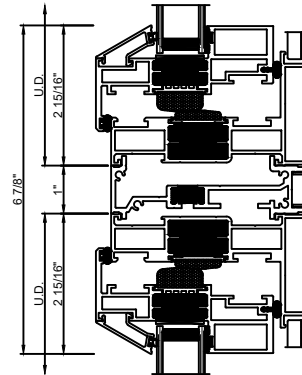
**CAN ONLY BE USED WITH C600**



Exterior

Window cut sections 1:4

Exterior



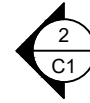
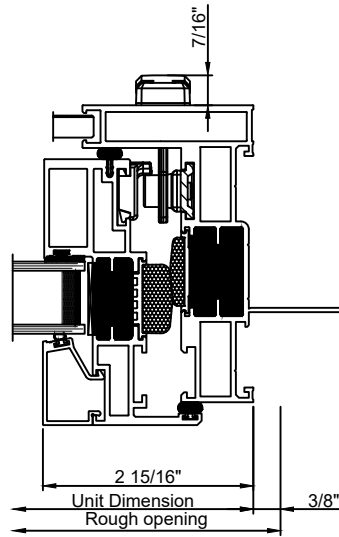
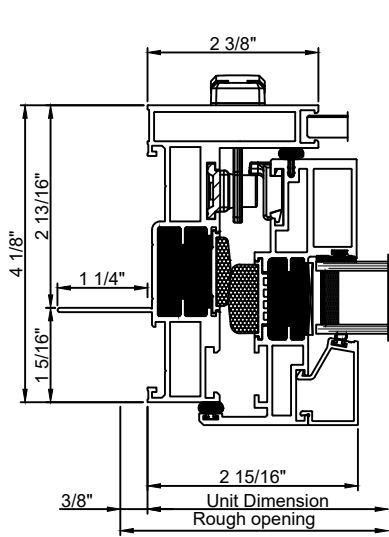
**1" STACK MULL**

M23841 - STACK MULL  
M23842 - INTERIOR COVER  
970-300 - WEEP COVER  
QWP-M23844 - END DAM (QTY. 2)  
BRBTT46 - POP RIVET (QTY. 8)

**C600 Install ONLY**

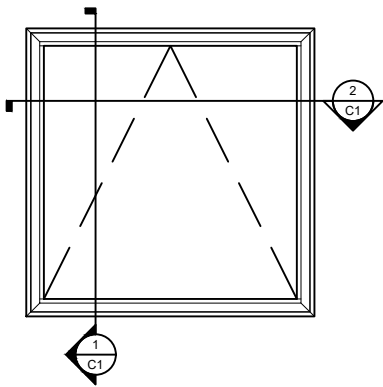
Window cut sections 1:4

Note: All dimensions are approximate. Quaker reserves the right to change specifications without notice.

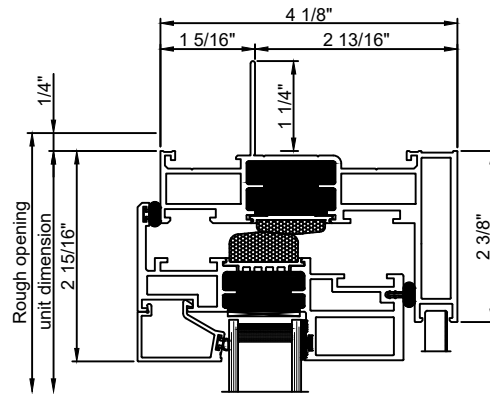


Window cut sections 3/8" = 0' 1"

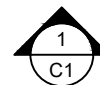
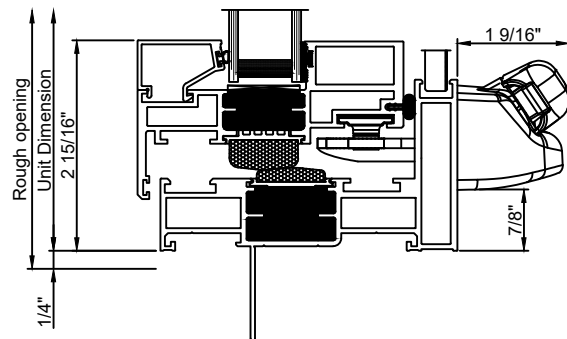
Exterior



Window Elevation 3/8" = 1' 0"

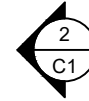
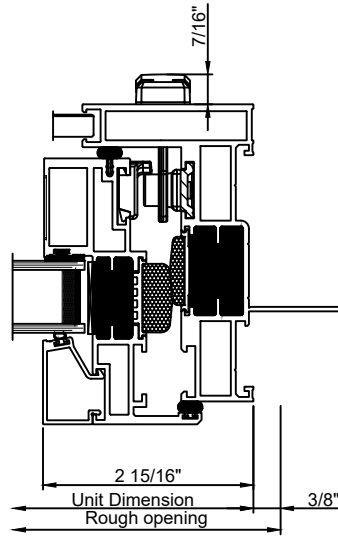
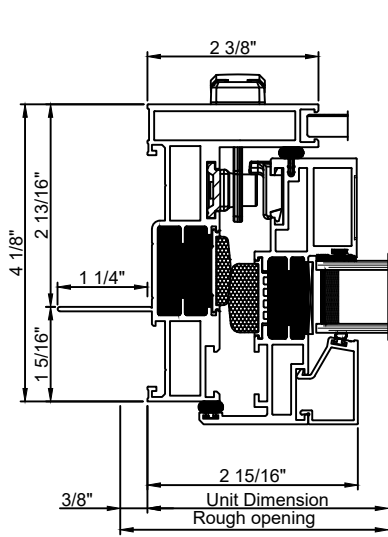


Exterior



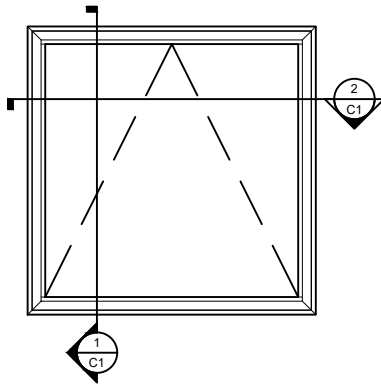
Window cut sections 3/8" = 0' 1"

Note: All dimensions are approximate. Quaker reserves the right to change specifications without notice.

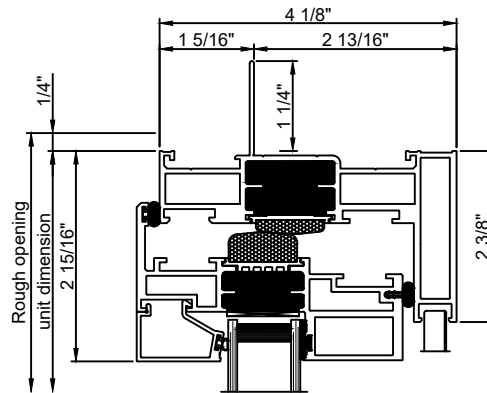


Window cut sections 3/8" = 0' 1"

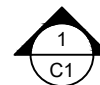
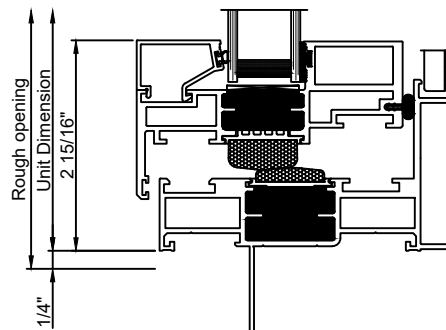
Exterior



Window Elevation 3/8" = 1' 0"

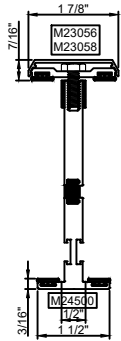


Exterior



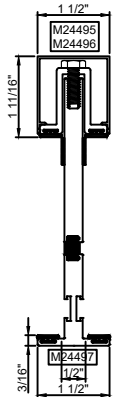
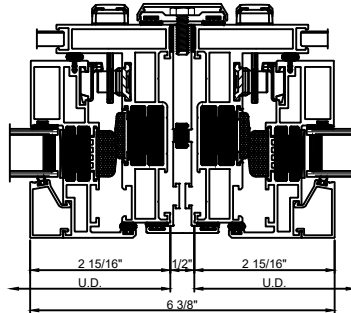
Window cut sections 3/8" = 0' 1"

Note: All dimensions are approximate. Quaker reserves the right to change specifications without notice.



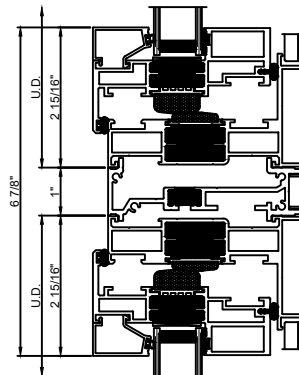
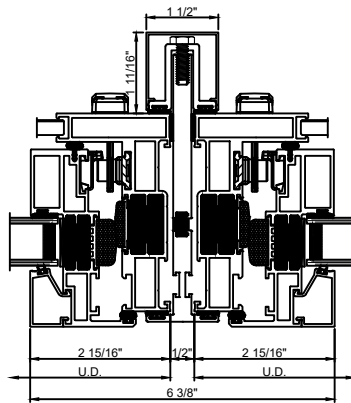
**T-MULL**  
M24500 - T-MULL  
M23056 - BASE  
M23058 - CAP  
BPN-9159 - W.S. (QTY. 4)  
MH1/4 20X3/4 - BOLTS (18" APROX. O.C.)  
5229-PC - ANCHOR (QTY. 2)  
MPS-8X1 1/2 - FASTENERS (QTY. 2)

**CAN ONLY BE USED WITH C600**



**T-MULL**  
M24497 - T-MULL  
M24495 - BASE  
M24496 - CAP  
BPN-9159 - W.S. (QTY. 4)  
MH1/4 20X3/4 - BOLTS (18" APROX. O.C.)  
ANCHOR (QTY. 2)  
MPS-8X1 1/2 - FASTENERS (QTY. 2)

**CAN ONLY BE USED WITH C600**

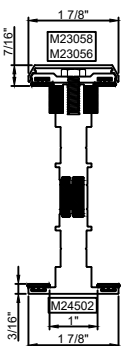


Exterior



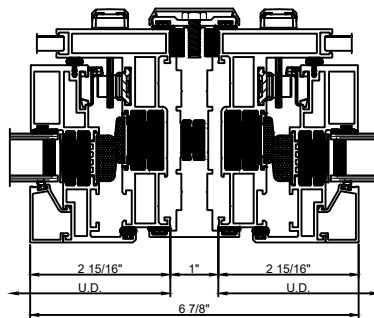
**1" STACK MULL**  
M23841 - STACK MULL  
M23842 - INTERIOR COVER  
970-300 - WEEP COVER  
QWP-M23844 - END DAM (QTY. 2)  
BRBTT46 - POP RIVET (QTY. 8)

**C600 Install ONLY**



**T-MULL**  
M24502 - T-MULL  
M23056 - BASE  
M23058 - CAP  
BPN-9159 - W.S. (QTY. 4)  
MH1/4 20X3/4 - BOLTS (18" APROX. O.C.)  
5228 - ANCHOR (QTY. 2)  
MPS-8X1 1/2 - FASTENERS (QTY. 2)

**CAN ONLY BE USED WITH C600**



Exterior

Window cut sections 1:4

Window cut sections 1:4

Note: All dimensions are approximate. Quaker reserves the right to change specifications without notice.